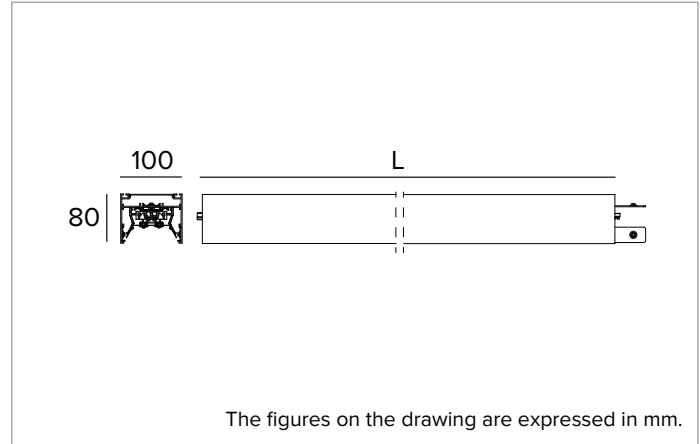


## T012MX830D2DB | LOGICO EASY System 100 - OPAL HO

### LED luminaire for ceiling or suspended system installation. Emergency linear module



		3000K	H(m)	D(m)	E <sub>max</sub> (lx)	
		Ra80		109°		
Fixture Power		83W	1	2.82	2587	
Source Flux		7199lm	2	5.64	647	
Fixture Flux		7199lm	3	8.46	287	
Efficacy		87lm/W	4	11.28	162	
G0301A	I <sub>max</sub> =359cd/klm	I <sub>max</sub>	2588cd	5	14.10	103



#### SOURCE

LED Engine made of linear LED boards Ra80.

**Energy efficiency class:** D

**Nominal power:** 72W

**Nominal flux:** 7199lm

**Colour rendering index:** 80

**Rf:** 84

**Rg:** 95

**CCT nominal:** 3000K

**Lifetime (L80/B10):** 100000h tq +25°C

#### ILLUMINOTECHNICAL CHARACTERISTICS

Direct emission. Diffused light - OPAL High Output optic: optical system made of a steel reflector with white polymer coating and a closing diffuser screen in opal anti-glare polycarbonate supplied in unrollable reels and available as a related code.

**Emission:** DIRECT

**Optic:** REFLECTOR

**Optical efficiency:** 100%

**Fixture flux:** 7199lm

**Emergency fixture flux BLF:** 5.5%

**Luminous efficacy:** 87lm/W

**Photobiological safety:** Compliant with RG0 exempt risk group

#### MECHANICAL CHARACTERISTICS

Painted extruded aluminium body with 100mm section. Upper closing screen in black PVC.

**Colour and finish:** Black

**Dimensions:** L=2336mm

**Weight:** 7.9Kg

**Version:** LINEAR

**Degree of protection:** IP40

**Mechanical Resistance:** IK02

#### ELECTRICAL CHARACTERISTICS

Integrated electronic DALI2 driver. "Easy Connection" system for a quick connection between the modules of the system thanks to the pre-assembled plug/socket connection elements. Preset for through wiring allowing to reach a maximum length of 18 meters. Equipped with emergency pack - permanent emergency (1h autonomy and 24h recharge).

**Fixture Power:** 83W

**Power supply:** 220-240Vac 50/60Hz

**Insulation Class:** CLASS 1

**Type of driver / Control:** DALI2 (EMERGENCY VERSION)

**Driver included:** YES

**Class F:** YES

**SAFE FLICKER:** PstLM=<1 and SVM=<0.4 (IEC TR 61547-1 and IEC TR 63158), to ensure a more comfortable and safe light

**Ambient temperature:** 0°C / +25°C

**Relative humidity UR:** <85%

#### INSTALLATION

To be completed with polycarbonate end caps, mounting systems for surface or suspended application and terminal block for connection to the power line.

#### NOTES

Casambi control system available using a dedicated accessory. Consult factory to verify the quantity of DALI drivers installed. For angular configurations L light modules and the L blind joint accessory are available. Commissioning of the control system via free APP; the intervention of a specialist technician can be quoted on request.

#### REGULATIONS AND CERTIFICATIONS

CE.

#### WARRANTY

5 years.

#### WARNING

Luminaire designed for disposal/recycling at end-of-life. Replaceable (LED only) light source by a professional. Replaceable control gear by a professional.

*Due to the technological evolution of the electronic components, the data provided may be updated, and as such, confirmation must be requested during the order process.*

*Luminous flux and power supply have +/-10% tolerances with respect to the indicated value. tq +25°C (CIE 121).*

*We reserve the right to make technical changes.*

Targetti Sankey S.r.l.  
Via Pratese, 164  
50145 Firenze - Italy  
Tel: +39 055 37911  
targetti.com  
targetti@targetti.com

CCIAA Firenze  
Share Capital:  
€ 500.000,00  
VAT N. (IT):  
01537660480  
R.E.A: FI-275656

**TARGETTI**

## T012MX830D2DB | LOGICO EASY System 100 - OPAL HO

LED luminaire for ceiling or suspended system installation. Emergency linear module

### Related codes

#### Screen



Dimensions	Code
L=6m	<b>A002LL1</b>
L=9m	<b>A002LL2</b>
L=15m	<b>A002LL3</b>

OPAL screen (Direct Emission).  
For LOGICO EASY System 100 - OPAL.

### Accessories

#### End Caps



Colour	Code
	<b>A003L1B</b>

End caps (2 pieces).  
For LOGICO EASY System 100.

#### Canopy



Colour	Code
	<b>A004B</b>

Canopy with 5 poles terminal block.  
Feeding cable not included.

#### Cover Panel



Colour	Code
	<b>A005LB</b>

Joint for screens.  
To be used for configurations longer than 15 meters.  
For LOGICO EASY System 100.

#### Bracket



Code
<b>A006L</b>

Bracket for ceiling installation (2 pieces).  
Two brackets needed for each lighting module.  
For LOGICO EASY 100.



Code
<b>A007L</b>

Bracket with adjustment system for suspended installation (2 pieces).  
Two brackets needed for each lighting module.  
For LOGICO EASY 100.

*Due to the technological evolution of the electronic components, the data provided may be updated, and as such, confirmation must be requested during the order process.*  
*Luminous flux and power supply have +/-10% tolerances with respect to the indicated value. tq +25°C (CIE 121).*

We reserve the right to make technical changes.

Targetti Sankey S.r.l.  
Via Pratese, 164  
50145 Firenze - Italy  
Tel: +39 055 37911  
targetti.com  
targetti@targetti.com

CCIAA Firenze  
Share Capital:  
€ 500.000,00  
VAT N. (IT):  
01537660480  
R.E.A: FI-275656

**TARGETTI**

# T012MX830D2DB | LOGICO EASY System 100 - OPAL HO

LED luminaire for ceiling or suspended system installation. Emergency linear module

## Suspension



Version	Code
L=6m	<b>A008T</b>
L=5m	<b>A008U</b>
L=4m	<b>A008V</b>
L=3m	<b>A008W</b>
L=2m	<b>A008X</b>
L=1m	<b>A008Y</b>
L=0,5m	<b>A008Z</b>

Suspension cable (2 pieces).

## Terminal Box



Version	Code
5 Poli DALI	<b>A009X</b>

Terminal block (plug/socket).  
One for each power supply.  
**A009X** - For LOGICO EASY 57 | 100.

## Control systems



Code
<b>1T5349</b>

IP20 wireless control unit with DALI interface.  
It generates a local DALI2 bus, enabling a direct connection to a DALI interface LED driver.

The module can only be used in a closed system and cannot be connected to an existing DALI network.

The module is wireless controlled using a Casambi app for smartphones and tablets using Bluetooth 5.0 technology.

The devices automatically create an adaptive, robust, and reliable wireless mesh network, allowing for the easy and efficient management of a high number of fixtures.

The control unit is preset to the DALI 1CH profile, meaning the device can control a single DALI driver with broadcast commands.

In addition to the DALI broadcast, other operating modes are available, such as:

- Button (normally open)
- Control unit 0/1-10V
- Control unit DALI Tunable White DT8
- Presence sensor



Code
<b>2T0131</b>

IP20 Extender for wireless control of LED driver with dimming DALI (or 1-10V) interface based on Casambi technology.

It has a DALI2 output with the capacity to control up to 40 lighting fixtures.

With the addition of a further external BUS DALI power supply it is possible to control up to 64 fixtures.

IP20 Extender is preset to the DALI broadcast profile, meaning all the luminaires connected to it are dimmable at the same level.

In addition to the DALI broadcast other operating modes are available, such as:

- EXTENDER DALI 8CH
- EXTENDER DALI Tunable White
- EXTENDER 0/1-10V
- EXTENDER DALI 4CH
- EXTENDER DALI DT8 Tunable White

Due to the technological evolution of the electronic components, the data provided may be updated, and as such, confirmation must be requested during the order process.  
Luminous flux and power supply have +/-10% tolerances with respect to the indicated value. tq +25°C (CIE 121).

We reserve the right to make technical changes.

Targetti Sankey S.r.l.  
Via Pratese, 164  
50145 Firenze - Italy  
Tel: +39 055 37911  
targetti.com  
targetti@targetti.com

CCIAA Firenze  
Share Capital:  
€ 500.000,00  
VAT N. (IT):  
01537660480  
R.E.A.: FI-275656

